

10W LED Oyster Light

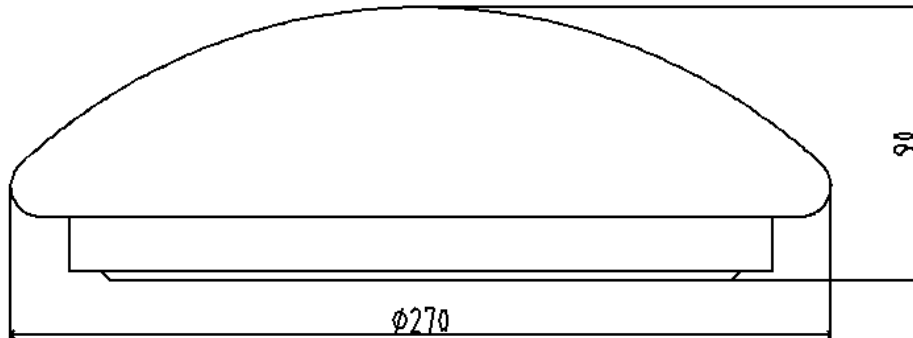


MODEL: R10LED

- Ceiling mounted
- Large terminal block, easy to fit cables.
- LED have a long life over 50000 hours, Energy-saving and environment friendly.
- Dimension (L x W x H): Φ 270x90

DIMENSION

All measurements in mm.

**SPECIFICATIONS**

NAME		RATED VALUE	UNIT
Input Voltage		AC220-240	Volts
Total Power		11	Watts
Power Factor		>0.9	
Color Temperature		5000/3000	K
Ra		≥70	
Luminous Flux	Normal	900	Lm
	Dim mode	/	/
Luminous efficiency		80	Lm/w

15W LED Oyster Light

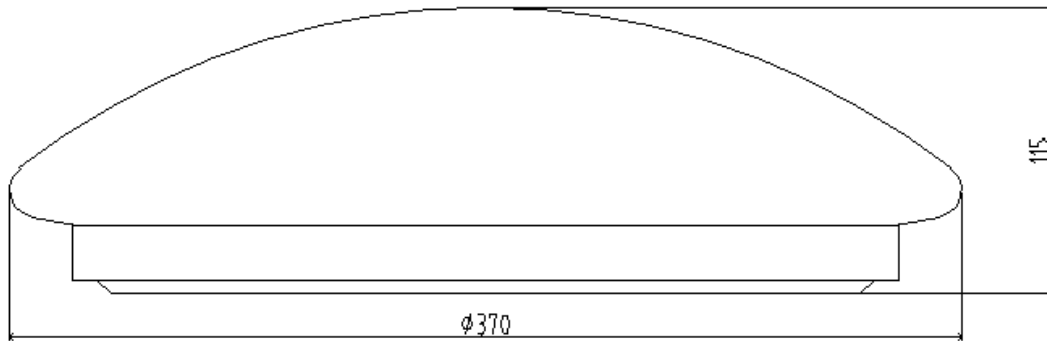


MODEL: R15LED

- Ceiling mounted
- Large terminal block, easy to fit cables.
- 80% dim down function is optional on LED driver.
- LED have a long life over 50000 hours, Energy-saving and environment friendly.
- Dimension (L x W x H): Φ 370x115

DIMENSION

All measurements in mm.



SPECIFICATIONS

NAME	RATED VALUE	UNIT
Supply Voltage	AC220-240	Volts
Supply Frequency	50	Hz
Input Power	20	W
Rated Power	18	W
Power Factor	>0.9	
Secondary Voltage	14-24	VDC
Secondary Current	0.75	A
Color Temperature	5000/3000	K
Ra	≥ 70	
Luminous Flux	Normal	1600
Luminous efficiency	Dim mode	200
Charge Time	80	Lm/w
	16	Hours
Discharge Time	2	Hours

Ingress Protection Rating	IP20	
LED Lamp Life	50000	

1) Non-maintained emergency light

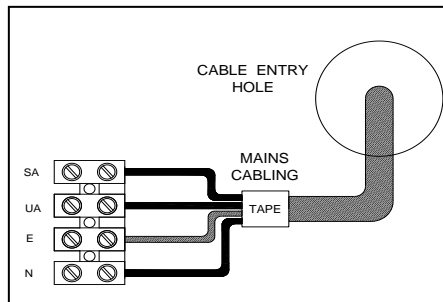


Figure 2: controlled by the lighting switch

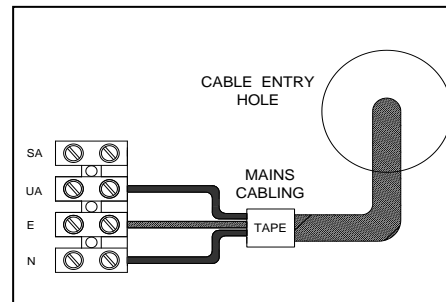


Figure 3: Non-maintained mode

3. Install the diffuser to the disk body